

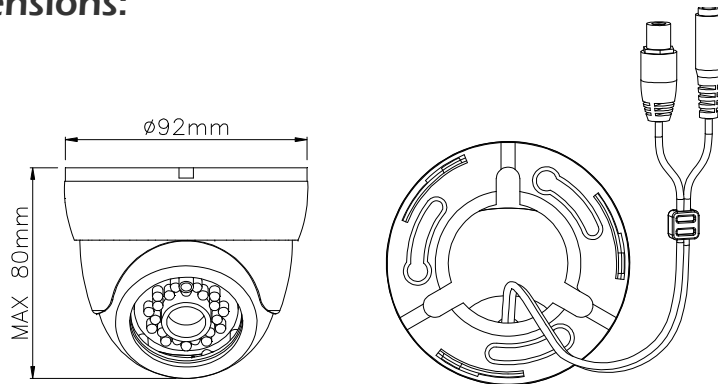
960H High Resolution 700TVL IR CCD Camera



Features:

- ★ SONY 1/3" 960H Super HAD II CCD image sensor.
- ★ SONY Enhanced Effio-E DSP chip-set.
- ★ High resolution 700TVL. Pixel number: PAL=570K.
- ★ High sensitivity 0.01LUX / F2.0.
- ★ Auto Electronic Shutter (AES), Auto Gain Control (AGC).
- ★ Auto Trace White Balance (ATW).
- ★ Adaptive Tone Reproduction (ATR=DWDR).
- ★ 2D Noise Reduction (2DNR).
- ★ Built-in anti-aliasing IR-pass (850nm) optical filter.
- ★ Built-in IR-LED for night vision.

Dimensions:



Specifications:

Model No.	ICD2700
Image Pick-up Device	SONY 1/3" 960H Super HAD II CCD
Signal Processor	SONY Enhanced Effio-E DSP
Effective Picture Elements	NTSC: 976*494, PAL: 976*582 (H*V)
Horizontal Resolution	700 TV lines
Minimum Illumination	0.01LUX / F2.0; 0LUX / IR
S/N Ratio	More than 54 dB
Auto Electronic Shutter	PAL: 1/50s~1/110,000s
Gain Control	Automatically
White Balance	ATW (1,800°K~10,500°K)
Gamma Characteristic	0.45
ATR (DWDR)	ON
2D Noise Reduction	ON
Lens Furnished	Board Lens 3.6mm / F2.0
Synchronous System	Internal, Negative sync.
Video Output	1 Vp-p Composite Video / 75 ohm
Power Supply / Consumption	DC 12V / 250mA
Operating Temp.	-10°C to 50°C (14°F to 122°F)
IR LED	24 Units of 850nm IR LED
IR Projection Distance	20 Meters

