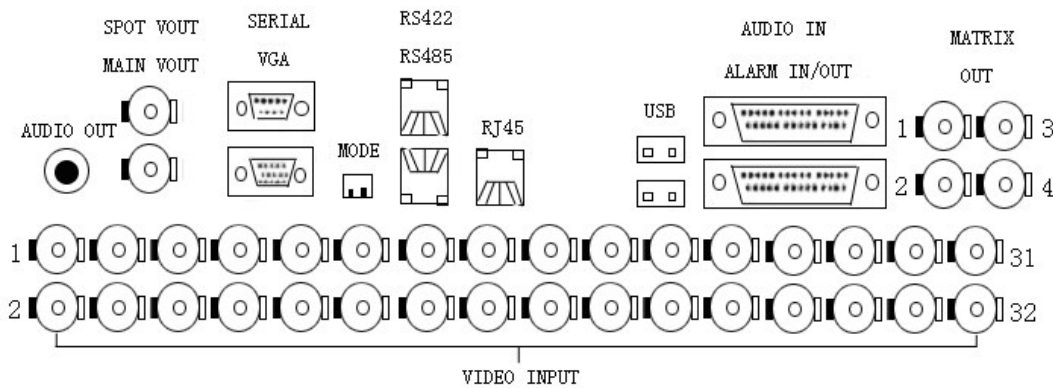


Model: IDVR-3200

**32-channel DVR Input/Output Detailed Definitions****Product Highlights**

32 channel Top end DVR Embedded high-speed IDT Microprocessor & Vxworks OS,  
 H.264 compression. BlackFin video processors,  
 Ethernet connection port for LAN, WAN and Internet,  
 Removable USB hard drive support for backup,  
 D1 resolution for live view and CIF resolution for playback,  
 Real time display and record: 25(PAL)/30(NTSC) frame per second per channel synchronized video and audio recording,  
 6 SATA HDDs supported & Non-working HDD hibernated mode,  
 USB mouse and IR interface,  
 Motion detection on every channel, Internet access through web browser, Central management software for viewing/managing multiple DVR,  
 32 x4 Matrix, support 4 channels Virtual Matrix output (Optional)

**Product specification:**

MODEL	IDVR-3200
Main processor	High quality embedded MPU processor
VIDEO	

Video Format	PAL/NTSC
Image Compression Standard	MPEG4/H.264
Video Input	32 CH BNC (1.0Vp-p, 75 Ω)
Video Output	2 CH BNC (1.0Vp-p, 75 Ω), 1 CH VGA
Matrix Output	32*4 matrix output (optional)
<b>AUDIO</b>	
Audio Compression Standard	G.723/ADPCM
Audio Input	DB25, 16 CH input(100mv-500mv, 10K Ω), 1 RCA input
Audio Output	1 RCA connector output(RCA, 100mv-500mv, 1K Ω)
<b>DISPLAY</b>	
Resolution	D1: 704×576 (PAL) 704×480 (NTSC)
Video Standard	<b>PAL (625 threads,50f/s),NTSC (525 threads,60f/s)</b>
Division	1/4/9/13/16/25/36 images, <b>Digital Zoom</b>
<b>RECORDING</b>	
Resolution	CIF(352*288)PAL, CIF (352*240) NTSC HD1(704*288)PAL, HD1 (704*240) NTSC
Frame Rate	32*25FPS in real time
Image Quality	<b>5 Levels (Low,Normal,Good,Fine,Super)</b>
Recording Mode	<b>Manual/Schedule/Event(Motion detection/Alarm Sensor)/Auto/Pre-recording</b>
<b>HDD</b>	
Basic storage	6HDD capacity Max. :1Tb/HDD, independent indicator LED
Requirement	1CH audio: 14.4M/Hour; 1CH video: 35-1000M/Hour
<b>Alarm</b>	
Input	12 CH alarm inputs, High/Low voltage trigger(optional), extended I/O input
Output	3 CH NO/NC
Alarm Relay	2A 30VDC/120VAC
Motion Detection Alarm	192(16*12) detection areas, sensor sensitivity adjustable, PTZ and relay lined.
<b>OTHER</b>	
System resources	Multiple CH monitoring, recording, replaying and network controlling simultaneously
Network	<b>RJ45,10/100 Base T Ethernet,TCP/IP,UDP, Multicast</b>
USB devices	2 USB2.0
PTZ camera	RS485/422, RJ11
Power supply	AC100~240V 50/60Hz
Power(no HDD devices)	<40W
Dimensions (W×H×D)	440×100×520 mm 2U
Operating environment	5~90% OH, -10℃~55℃